



# FWS-25 TP2 FWS-30 TP2 FWS-40 TP2

## NORMAL SPIN

### HARD MOUNT WASHERS

**G FORCE = 200 | 25 - 30 - 40 lbs**

**RELIABILITY AND ROBUSTNESS**

**WITHIN REACH OF ALL.**



## FEATURES

- G Force = 200.
- Hard-mounted machines. Require anchoring to the floor.
- Drum and jacket in AISI-304 stainless steel.
- Easy-to-clean exterior panels, manufactured in skinplate with stainless steel appearance,
- Detergent tray with 4 compartments.
- 8 signals for automatic liquid dosing, programmable in time and delay.
- 6 extra signals available optionally.
- Variable-frequency drive (standard 50-60 Hz).
- Balancing systems
- New TOUCH PLUS programmer (TP2) with a 7" color touch screen, and 37 available languages. TP2 lets you create an infinite number of programs (29 pre-set), as well as play videos.
- TP2 allows programming, importing and exporting of programs and software updates via USB.
- Traceability as standard: temperatures, water levels, etc. are stored on the washer and is extractable to a PC by USB memory.
- All washers are **WET CLEANING** ready. The TP2 programmer includes the characteristics to create any Wet Cleaning program (adjustable water levels and washing speed).
- **EFFICIENT MIX.** These machines are equipped with an automatic water mixer (mixing different water temperatures) which provides energy savings and reduces washing times.
- **BALANCE CONTROL:** detects the imbalance at an early stage. This way the operation is much smoother, extending components lifetime, and saving time and energy.
- **MULTI-CHOICE INLET:** 3 standard water inlets. All washers are equipped with a third water inlet to speed filling time, for decalcified water, ozone, or recycled water.
- **MAINTENANCE KARE:** A simple design, focused in optimum accessibility; with easy-to-access mechanical and electronic parts. key to easy maintenance.
- The TP2 control provides a complete technical menu, self-diagnosis systems, alarms, restricted access areas, etc.
- **OPTIMIZED DRUM:** The special perforations in the paddles of the drum create a water cascade effect that considerably increases the mechanical action and reduces the amount of water in each wash. The effective design of the drum and tank with minimal spaces between them, reduces the energy consumption to heat the water and the excessive use of chemical products.
- **OPTIMAL CONSUMPTION.** All washers are equipped with an efficient system that sense the load weight and automatically adapts the quantity of water and chemicals needed.
- Washers compatible with water recovery tanks.
- With the TP2 control you can convert your **OPL** washer to **Coin/Vended** mode. Just add a coin mechanism kit or other payment system.RS-485 communication.

### OPTIONS:

- Anchoring base.
- Exterior panels in AISI-304 stainless steel.
- Front panels in AISI-304 stainless steel.
- Double drain kit to recover water.
- NC Option: drain normally closed.
- Reversible door opening.
- 6 extra signals for dosing
- Timed opening system.
- Printer.
- Shower system: water recirculation for very delicate linen (wet cleaning complement).
- Marine electric versions.
- Protective covering for the electronics system.
- SLUICE option. Essential for fabrics with solid contamination. The Ø 8 mm perforations in the drum facilitate the removal of solid waste.





## TECHNICAL DATA

## UNIT.

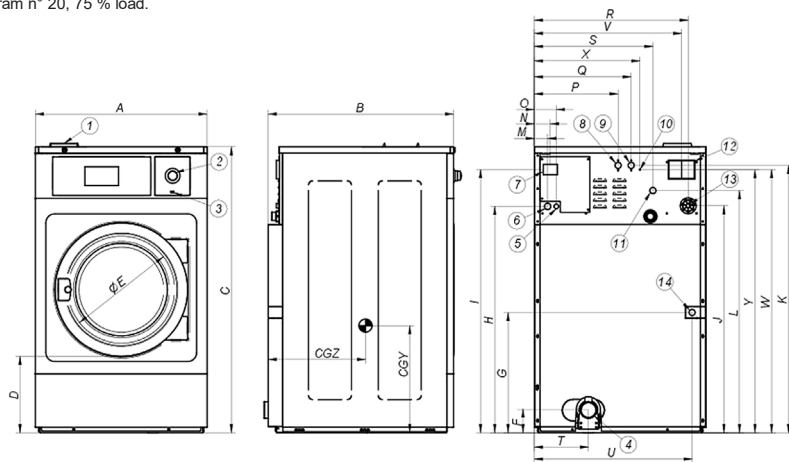
## FWS - 25 TP2

## FWS - 30 TP2

## FWS - 40 TP2

DRUM			FWS - 25 TP2	FWS - 30 TP2	FWS - 40 TP2			
Load capacity 1:9 / 1:10	lbs		24/22	31/29	44/42			
Volume	cu ft		3.5	4.5	6			
Diameter	in		24.4	24.4	27.55			
Depth	in		13	16.92	18.50			
GENERAL DATA								
Wash speed / Spin speed	rpm		53/759	53/759	50/714			
G Force	-		200	200	200			
Maximum force transmitted	kN		2.0 ±3	2.31 ±4	2.63 ±5			
Dynamic force frequency	Hz		8.93	8.93	8.42			
Noise level	dB		< 70	< 70	< 70			
Self-service version	-		Yes	Yes	Yes			
Double drain	-		No	Opt.	Opt.			
Weighing system	-		No	No	No			
SLUICE option	-		Yes	Yes	Yes			
DOOR								
Height door centre / Height door base	in		22.00/12.20	22.44/12.20	25.78/13.70			
Diameter	in		14.68	14.68	18.11			
POWER								
Motor	Hp		1.48	1.48	2.9			
Heating electric mod.	kW		6	9	12			
Maximum electrical power	kW		6.25	9.5	12.75			
Maximum steam and hot water power	kW		1.1	1.1	2.2			
CONNECTIONS			ELECTRIC	STEAM / HOT WATER	ELECTRIC	STEAM / HOT WATER	ELECTRIC	STEAM / HOT WATER
208-240V / 50-60 Hz / 1	FLA (Amp)		32 A	6 A	50 A	6 A	63 A	10 A
208-240V / 50-60 Hz / 3	FLA (Amp)		20 A	-	32 A	-	40 A	-
440V / 50-60 Hz / 3	FLA (Amp)		16 A	-	16 A	-	20 A	-
Steam inlet (Steam mod.)	in			1/2"		1/2"		1/2"
Maximum steam consumption (Steam. mod.)	lbs/h			15.5		18.8		26.5
Water inlet	in			3/4"		3/4"		3/4"
Grid pressure	kg/cm <sup>2</sup>			2-4		2-4		2-4
Maximum water consumption *	Gal/h			15.80		21		31.35
Drain	in			3"		3"		3"
Drainage capacity	gal/min			52.8		52.8		52.8
DIMENSIONS / DIMENSIONS WITH PACKAGING								
Width / Width	in		28.3 / 31.5	28.3 / 31.5	31 / 33			
Depth / Depth	in		26.4 / 39	32.67 / 39	33 / 39.76			
Height / Height	in		45.59 / 53.14	45.59 / 53.14	51.45 / 59			
Net weight / Gross weight	lbs		478 / 496	526 / 545	620 / 664			
Gross volume (with packaging)	cu ft		37.8	37.8	46			

\* Program n° 20, 75 % load.



- ① Soap dispenser.
- ② Emergency stop.
- ③ USB port.
- ④ Drain.
- ⑤ Electrical connection to liquid soap pumps.
- ⑥ Electrical connection.
- ⑦ Main switch.
- ⑧ Auxiliary water inlet.
- ⑨ Hot water inlet.
- ⑩ Ground connection.
- ⑪ Cold water inlet.
- ⑫ Water overflow.
- ⑬ Connection for liquid soap.
- ⑭ Steam connection.

DIMENSIONS (in)	A	B	C	D	E	F	G	H	I	J	K	L	M	N	O	P	Q	R	S	T	U	V	W	X	Y	CGY	CGZ
FWS-25 TP2	28.31	26.93	45.59	12.20	14.69	5.67	17.32	34.88	41.50	35.00	42.24	37.72	2.40	2.91	3.98	12.44	14.80	25.08	18.70	8.31	25.75	23.90	42.24	16.69	44.02	15.08	20.12
FWS-30 TP2	28.31	32.68	45.59	12.20	14.69	5.67	17.32	34.88	41.50	35.00	42.24	37.72	2.40	2.91	3.98	12.44	14.80	25.08	18.70	8.31	25.75	23.90	42.24	16.69	44.02	15.08	20.12
FWS-40 TP2	31.02	33.07	51.46	13.70	18.11	4.25	21.73	40.75	47.36	40.87	48.11	43.58	2.40	2.91	3.98	15.16	17.52	27.80	21.42	9.80	28.50	26.61	47.36	19.09	47.32	18.86	21.50





# FWS-50-65 TP2 NORMAL SPIN

G FORCE = 200 | 50 - 65 LBS

RELIABILITY AND ROBUSTNESS

WITHIN REACH OF ALL.



## CHARACTERISTICS

- G Force = 200.
- Drum and jacket in AISI-304 stainless steel.
- Unit exterior manufactured in sandwich board, colour grey, stainless steel appearance, easy to clean, and which does not reflect fingerprints.
- Detergent tray with 4 compartments.
- 8 signals for automatic liquid dosing, programmable in time and delay. 6 extra signals available optionally.
- 3 standard water inlets.
- Variable-frequency drive (standard 50-60 Hz). Balancing system controlled by the same drive.
- New second-generation TOUCH PLUS programmer with 7" touch screen in colour, 37 available languages and which lets you create an indefinite number of programs (20 pre-set), as well as play videos.
- Allows programming, importing and exporting of programs and software updates via USB.
- CONNECTIVITY. IoT - FagorKconnect. Remote technical service. Management of laundries: OPL and COIN. Remote payment.
- EFFICIENT MIX. These machines are equipped with an automatic water mixer (mixing different water temperatures) which provides energy savings and reduces washing times.
- BALANCE CONTROL. Thanks to an advanced technological development, and by means of the inverter, the washers detect the imbalance at an early stage. This way the operation is much smoother, elongating components lifetime and reducing

washing times, thus saving energy as well.

- MULTICHOICE INLET. All washers are equipped with a third water inlet as standard, which allows you to save filling time, or which can be used for decalcified water, ozone or recycled water.
- WET CLEANING. All washers incorporate the necessary features to use the WET CLEANING system as standard, avoiding investment in expensive applications to work with this advanced washing concept. This feature replaces most dry-cleaning washing systems, bringing maximum reduction in costs.
- The programmer includes the characteristics to create any Wet Cleaning program (modifiable water levels and washing speed).
- MAINTENANCE KARE. A simple and reliable design with easy-to-access mechanical parts that combines perfectly with the use of intelligent electronics. All components have been designed and manufactured with top quality and prestige, focusing on optimum accessibility for all points and components key to maintenance. Moreover, all the controls have been developed down to the finest detail: complete technical menus, fault self-diagnosis systems, alarms, restricted access areas, etc.
- OPTIMIZED DRUM. This system has been developed to improve wash quality to the maximum and to do it in as short a time as possible. Through a series of perforations in the paddles of the machine, a water

cascade effect is achieved which increases the mechanical action of the drum during operation and greatly reduces the amount of water needed for each wash. The effective design of the drum and tank with minimal spaces between them, allows the energy consumption necessary to heat the water, as well as the superfluous use of chemical products, to be reduced.

- OPTIMAL CONSUMPTION. All washers are equipped with an efficient system by means of which you can indicate the load which is introduced in the machine. The washer automatically adapts the quantity of water and chemicals to be used for that load.
- "LOADING AID" system. Water inlet and spin control for loading the linen.
- The standard model can be converted to self-service by installing a pay station kit, coin mechanism kit or other payment system. RS-485 communication.
- Washers compatible with water recovery tanks.

### OPTIONS:

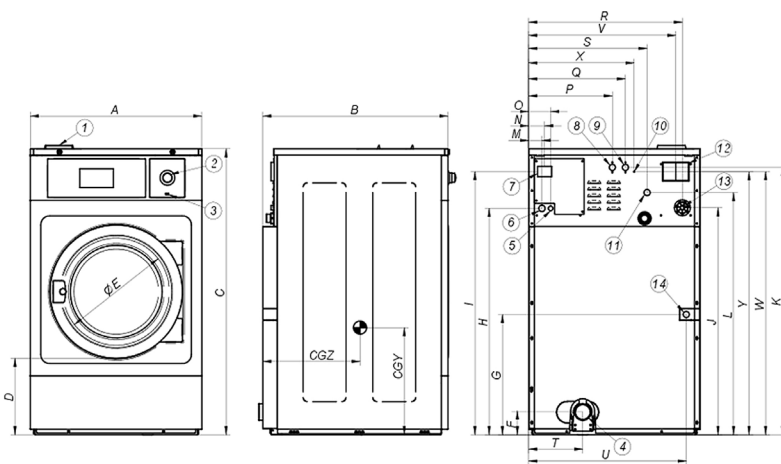
- Anchoring base as an option for correct fixation to the floor.
- Unit exterior in AISI-304 stainless steel.
- Front panels in AISI-304 stainless steel.
- Double drain kit to recover the water, with important savings.
- NC Option: drain normally closed.
- Reversible door opening.
- Silicone seal for 50 and 65 lbs models.
- 6 extra signals for dosing
- Timed opening system.
- Printer.
- Shower system: water recirculation for very delicate linen (wet cleaning complement).
- Marine electric versions for ships.
- Tropicalised models with protective covering for the electronics system.
- SLUICE option. Essential for wash processes of sheets and other fabrics with solid contamination. Ø 8 mm perforations in the drum which facilitate the outlet of solid waste.

[www.fagorcommercial.com](http://www.fagorcommercial.com)

TECHNICAL DATA

	UNIT.	FWS-50	FWS-65
<b>DRUM</b>			
Load capacity 1:9 / 1:10	lbs	55.1/48.5	68/61
Volume	CU.FT	7.8	9.9
Diameter	in	27.6	30.3
Depth	in	22.1	23
<b>GENERAL DATA</b>			
Wash speed / Spin speed	r.p.m.	50/714	48/682
G Force	-	200	200
Maximum force transmitted	kN	3,04 ±5	3,68 ± 6
Dynamic force frequency	Hz	8.42	8.02
Noise level	dB	< 70	< 70
Self-service version	-	Yes	Yes
Double drain	-	Opt	Opt.
Weighing system	-	No	No
SLUICE option	-	Yes	Yes
<b>DOOR</b>			
Height door centre / Height door base	in	25,8/13,7	25.8/13.7
Diameter	in	18,11	18,11
<b>POWER</b>			
Motor	Hp	2,95	5,36
Heating electric mod.	kW	12	18
Maximum electrical power	kW	12,75	19,2
Maximum steam and hot water power	kW	2,2	4
<b>CONNECTIONS</b>			
		<b>ELECTRIC</b>	<b>STEAM / HOT WATER</b>
Voltage 208-240V - 1 PH+ G	Nº x mm <sup>2</sup> / A	2x16+G / 63A	2x4+G / 32A
Voltage 230V - 3 PH + G	Nº x mm <sup>2</sup> / A	3x6+G / 40A	-
Voltage 400V - 3 PH + G	Nº x mm <sup>2</sup> / A	4x4+G / 20A	-
Steam inlet (Steam mod.)	inch	1/2"	3/4"
Maximum steam consumption (Steam. mod.)	lbs/h	26,45	33,06
Water inlet	inch	3/4"	3/4"
Grid pressure	kg/cm <sup>2</sup>	2-4	2-4
Maximum water consumption *	Gal/h	31.7	31.7
Drain	mm/inch	3"	3"
Drainage capacity	gal/min	52.8	52.8
<b>DIMENSIONS / DIMENSIONS WITH PACKAGING</b>			
Width / Width	in	31.0/34.7	34.8/36.6
Depth / Depth	in	38.2/44.9	42.2/49.6
Height / Height	in	51.5/60.0	52.8/60.0
Net weight / Gross weight	lbs	661.5/705.6	804.8/871.0
Gross volume (with packaging)	ft3	53.0	63.6

\* Program n° 20, 75 % load.



- ① Soap dispenser.
- ② Emergency stop.
- ③ USB port.
- ④ Drain.
- ⑤ Electrical connection to liquid soap pumps.
- ⑥ Electrical connection.
- ⑦ Main switch.
- ⑧ Auxiliary water inlet.
- ⑨ Hot water inlet.
- ⑩ Earth connection.
- ⑪ Cold water inlet.
- ⑫ Water overflow.
- ⑬ Connection for liquid soap.
- ⑭ Steam connection.

	A	B	C	D	E	F	G	H	I	J	K	L	M	N	O	P	Q	R	S	T	U	V	W	X	Y	CGY	CGZ
FWS-50TP2	31,02	38,20	51,46	13,70	18,11	4,25	21,73	40,75	47,36	40,87	48,11	43,58	2,40	2,91	3,98	15,16	17,52	27,80	21,42	9,80	28,50	26,61	47,36	19,09	47,32	18,86	24,03
FWS-65TP2	34,80	42,16	52,76	15,75	18,11	5,71	21,57	41,85	48,43	41,93	49,21	44,68	2,40	2,91	3,98	16,85	20,00	31,54	25,16	10,55	32,28	30,35	48,03	23,62	50,39	23,27	23,45



# FWS- 80C TP2 FWS-100C TP2

## NORMAL SPIN

HARD MOUNT WASHERS  
G FORCE = 200 | 80 - 100 lbs

RELIABILITY AND ROBUSTNESS  
WITHIN REACH OF ALL.



## FEATURES

- G Force = 200.
- Hard-mounted machines. Require anchoring to the floor.
- Drum and jacket in AISI-304 stainless steel.
- Easy-to-clean exterior panels, manufactured in skinplate with stainless steel appearance,
- Detergent tray with 4 compartments.
- 8 signals for automatic liquid dosing, programmable in time and delay.
- 6 extra signals available optionally.
- Variable-frequency drive (standard 50-60 Hz
- New TOUCH PLUS programmer (TP2) with a 7" color touch screen, and 37 available languages. TP2 lets you create an infinite number of programs (29 pre-set), as well as play videos.
- TP2 allows programming, importing and exporting of programs and software updates via USB.
- Traceability as standard: temperatures, water levels, etc. are stored on the washer and is extractable to a PC by USB memory.
- All washers are WET CLEANING ready. The TP2 control allows you to create any wet cleaning program (adjustable water levels and wash speed).
- EFFICIENT MIX. These machines are equipped with an automatic water mixer (mixing different water temperatures) which provides energy savings and reduces washing times.
- BALANCE CONTROL: detects the imbalance at an early stage. This way the operation is much smoother, extending components lifetime, and saving time and energy.
- MULTICHOICE INLET: 3 standard water inlets. All washers are equipped with a third water inlet to speed filling time, for decalcified water, ozone, or recycled water.
- MAINTENANCE KARE: A simple design, focused in optimum accessibility; with easy-to-access mechanical and electronic parts. key to easy maintenance.
- The TP2 control provides a complete technical menu, self-diagnosis systems, alarms, restricted access areas, etc.
- OPTIMIZED DRUM: The special perforations in the paddles of the drum create a water cascade effect that considerably increases the mechanical action and reduces the amount of water in each wash. The effective design of the drum and tank with minimal spaces between them, reduces the energy consumption to heat the water and the excessive use of chemical products.
- OPTIMAL CONSUMPTION. All washers are equipped with an efficient system that sense the load weight and automatically adapts the quantity of water and chemicals needed.
- Washers compatible with water recovery tanks.
- With the TP2 control you can convert your OPL washer to Coin/Vended mode. Just add a coin mechanism kit or other payment system.RS-485 communication.

### OPTIONS:

- Anchoring base.
- Exterior panels in AISI-304 stainless steel.
- Front panels in AISI-304 stainless steel.
- Double drain kit to recover water.
- NC Option: drain normally closed.
- Reversible door opening.
- 6 extra signals for dosing
- Timed opening system.
- Printer.
- Shower system: water recirculation for very delicate linen (wet cleaning complement).
- Marine electric versions.
- Protective covering for the electronics system.
- SLUICE option. Essential for fabrics with solid contamination. The Ø 8 mm perforations in the drum facilitate the removal of solid waste.





## TECHNICAL DATA

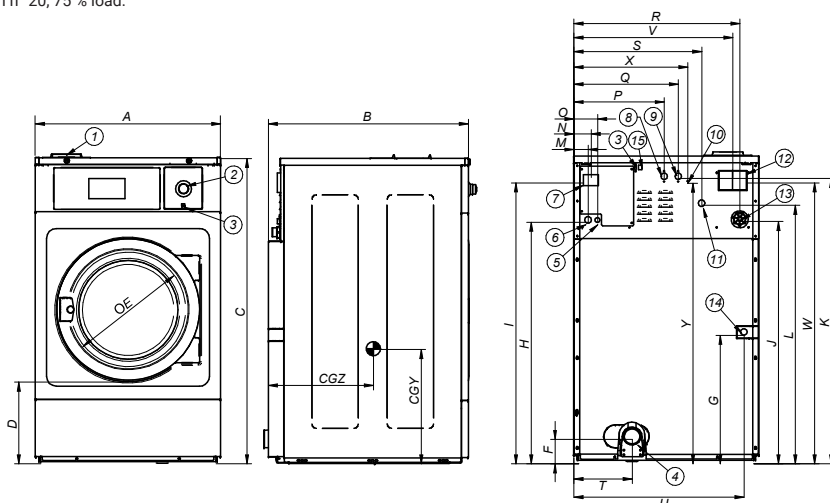
## UNIT.

## FWS - 80C TP2

## FWS - 100C TP2

DRUM			FWS - 80C TP2	FWS - 100C TP2
Load capacity	lbs		80	100
Volume	cu ft		12.36	14.83
Diameter	in		33.85	33.85
Depth	in		23.7	28.5
<b>GENERAL DATA</b>				
Wash speed / Spin speed	rpm		45/644	45/644
G Force	-		200	200
Maximum force transmitted	kN		4.59 ±8	4.59 ±8
Dynamic force frequency	Hz		7.58	7.58
Noise level	dB		< 70	< 70
Self-service version	-		Yes	Yes
Double drain	-		Opt.	Opt.
Weighing system	-		No	No
SLUICE option	-		Yes	Yes
<b>DOOR</b>				
Height door centre / Height door base	in		28.9 / 17.3	28.9 / 17.3
Diameter	in		22	22
<b>POWER</b>				
Motor	Hp		4	6
Heating (electric heating model)	kW		21	21
Maximum power (electric heating model)	kW		22	22
Maximum power (steam and hot water model)	kW		4	6
<b>CONNECTIONS</b>				
230-240V / 50-60 Hz / 1	FLA (Amps)	ELECTRIC	-	-
230-240V / 50-60 Hz / 3	FLA (Amps)	ELECTRIC	63	16
440V / 50-60 Hz / 3	FLA (Amps)	ELECTRIC	40	-
Steam inlet (Steam mod.)	in	STEAM / HOT WATER	3/4"	3/4"
Maximum steam consumption (Steam, mod.)	lbs/h	STEAM / HOT WATER	40	40
Water inlet	in	STEAM / HOT WATER	3/4"	3/4"
Grid pressure	kg/cm <sup>2</sup>	STEAM / HOT WATER	2-4	2-4
Maximum water consumption *	gal/h	STEAM / HOT WATER	52.72	52.72
Drain	in	STEAM / HOT WATER	3"	3"
Drainage capacity	gal/min	STEAM / HOT WATER	52.8	52.8
<b>DIMENSIONS / DIMENSIONS WITH PACKAGING</b>				
Width / Width	in		38.50 / 42.00	38.50 / 42.00
Depth / Depth	in		42.00 / 50.00	47.24 / 59.00
Height / Height	in		55.55 / 63	55.55 / 63
Net weight / Gross weight	lbs		1043 / 1109	1153 / 1219
Gross volume (with packaging)	cu ft		76.6	90.3

\* Program n° 20, 75 % load.



- 1- SOAP DISPENSER
- 2- EMERGENCY STOP
- 3- USB PORT
- 4- DRAIN
- 5- ELECTRIC CONNECTION TO LIQUID SOAP PUMPS
- 6- ELECTRICAL CONNECTION
- 7- MAIN SWITCH
- 8- AUXILIAR WATER INLET
- 9- HOT WATER INLET
- 10- EQUIPOTENTIAL CONNECTION
- 11- COLD WATER INLET
- 12- BLUR OUTPUT / WATER OVER-LOAD
- 13- LIQUID SOAP CONNECTION
- 14- STEAM CONNECTION
- 15- ETHERNET PORT

	A	B	C	D	E	F	G	H	I	J	K	L	M	N	O	P	Q	R	S	T	U	V	W	X	Y	CGY	CGZ	
FWS-80C	in	38.5	42	55.6	14.6	22	5.8	24.5	44.8	51.5	44	52	47.7	2.4	2.9	4	21.5	24.6	34.8	28.2	10.3	36.1	33.7	50.4	30	54	25	26.85
FWS-100C	in	38.5	46.7	55.6	14.6	22	5.8	24.5	44.8	51.5	44	52	47.7	2.4	2.9	4	21.5	24.6	34.8	28.2	10.3	36.1	33.7	50.4	30	54	25	30







# FWS-135 TP2

NORMAL SPIN

HARD MOUNT WASHER

G FORCE = 150 | 135 lbs

RELIABILITY AND ROBUSTNESS  
WITHIN REACH OF ALL.

## FEATURES

- G Force = 150
- **Hard-mounted machines. Require anchoring to the floor.**
- Drum and jacket in AISI-304 stainless steel.
- Easy-to-clean exterior panels, manufactured in skinplate with stainless steel appearance.
- Detergent tray with 4 compartments.
- 8 signals for automatic liquid dosing, programmable in time and delay. 6 extra signals available optionally. Variable-frequency drive (standard 50-60 Hz). Balancing systems
- New TOUCH PLUS programmer (TP2) with a 7" color touch screen, and 37 available languages. TP2 lets you create an infinite number of programs (29 pre-set), as well as play videos.
- TP2 allows programming, importing and exporting of programs and software updates via USB.
- Traceability as standard: temperatures, water levels, etc. are stored on the washer and is extractable to a PC by USB memory.
- All washers are **WET CLEANING** ready. The TP2 programmer includes the characteristics to create any Wet Cleaning program (adjustable water levels and washing speed).
- EFFICIENT MIX. These machines are equipped with an automatic water mixer (mixing different water temperatures) which provides energy savings and reduces washing times.
- BALANCE CONTROL: detects the imbalance at an early stage. This way the operation is much smoother, extending components lifetime, and saving time and energy.
- MULTICHOICE INLET: 3 standard water inlets. All washers are equipped with a third water inlet to speed filling time, for decalcified water, ozone, or recycled water.
- MAINTENANCE KARE: A simple design, focused in optimum accessibility; with easy-to-access mechanical and electronic parts. key to easy maintenance.
- The TP2 control provides a complete technical menu, self-diagnosis systems, alarms, restricted access areas, etc.
- OPTIMIZED DRUM: The special perforations in the paddles of the drum create a water cascade effect that considerably increases the mechanical action and reduces the amount of water in each wash. The effective design of the drum and tank with minimal spaces between them, reduces the energy consumption to heat the water and the excessive use of chemical products.
- OPTIMAL CONSUMPTION. All washers are equipped with an efficient system that sense the load weight and automatically adapts the quantity of water and chemicals needed.
- Washers compatible with water recovery tanks.
- With the TP2 control you can convert your OPL washer to **Coin/Vended** mode. Just add a coin mechanism kit or other payment system.RS-485 communication.

### OPTIONS:

- Anchoring base.
- Exterior panels in AISI-304 stainless steel.
- Front panels in AISI-304 stainless steel.
- Double drain kit to recover water.
- NC Option: drain normally closed.
- Reversible door opening.
- 6 extra signals for dosing
- Timed opening system.
- Printer.
- Shower system: water recirculation for very delicate linen (wet cleaning complement).
- Marine electric versions.
- Protective covering for the electronics system.





## TECHNICAL DATA

## UNIT.

## FWS - 135 TP2

**DRUM**

Load capacity	lbs	135
Volume	cu ft	21
Diameter	in	41.26
Depth	in	26.92

**GENERAL DATA**

Wash speed / Spin speed	rpm	42.5/505
G Force	-	150
Maximum force transmitted	kN	9.12 ±15
Dynamic force frequency	Hz	6.93
Noise level	dB	< 70
Self-service version	-	No
Double drain	-	Opt.
Weighing system	-	No
SLUICE option	-	No

**DOOR**

Height door centre / Height door base	in	35.43 / 21.26
Diameter	in	22

**POWER**

Motor	kW	5.5
Heating (electric heating model)	kW	28.8
Maximum power (electric heating model)	kW	31.2
Maximum power (steam and hot water model)	kW	5.5

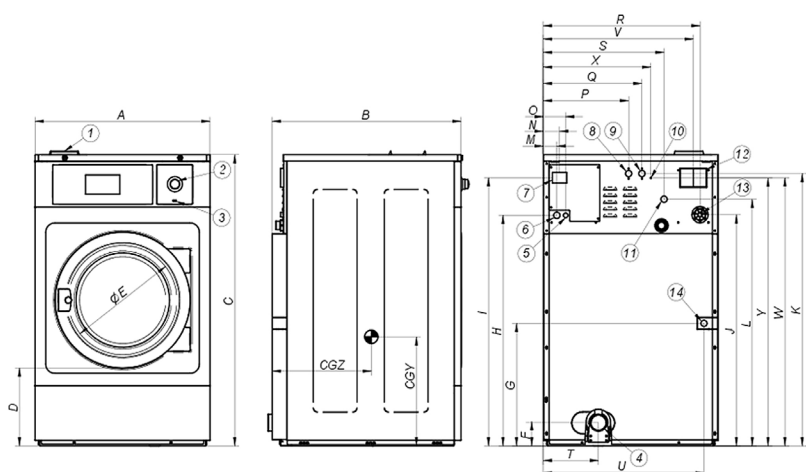
**CONNECTIONS**

		ELECTRIC	STEAM / HOT WATER
208-240V / 50-60 Hz / 1	FLA (Amp)	-	-
208-240V / 50-60 Hz / 3	FLA (Amp)	100 A	32 A
440V / 50-60 Hz / 3	FLA (Amp)	63 A	20 A
Steam inlet (Steam mod.)	in		3/4"
Maximum steam consumption (Steam, mod.)	lbs/h		46.3
Water inlet	in		3/4"
Grid pressure	kg/cm <sup>2</sup>		2-4
Maximum water consumption *	gal/h		165.87
Drain	in		3"
Drainage capacity	gal/min		52.8

**DIMENSIONS / DIMENSIONS WITH PACKAGING**

Width / Width	in	48.25 / 53.54
Depth / Depth	in	50.35 / 58.16
Height / Height	in	64.56 / 74
Net weight / Gross weight	lbs	2050 / 2314
Gross volume (with packaging)	cu ft	131.72

\* Program n° 20, 75 % load.



- ① Soap dispenser.
- ② Emergency stop.
- ③ USB port.
- ④ Drain.
- ⑤ Electrical connection to liquid soap pumps.
- ⑥ Electrical connection.
- ⑦ Main switch.
- ⑧ Auxiliary water inlet.
- ⑨ Hot water inlet.
- ⑩ Ground connection.
- ⑪ Cold water inlet.
- ⑫ Water overflow.
- ⑬ Connection for liquid soap.
- ⑭ Steam connection.

DIMENSIONS (in)	A	B	C	D	E	F	G	H	I	J	K	L	M	N	O	P	Q	R	S	T	U	V	W	X	Y	CGY	CGZ
FWS-135TP2	48.23	50.35	64.57	21.26	22.05	5.51	38.74	53.86	60.47	51.42	61.06	51.89	2.40	2.91	3.98	25.63	28.78	43.70	34.21	10.63	45.79	42.52	57.87	39.06	62.80	25.35	38.27

