



FWH-25 TP2 FWH-30 TP2 FWH-40 TP2

HIGH SPIN

SOFT MOUNT WASHER

G FORCE = 450 | 60 - 80 lbs

MAXIMUM EFFECTIVENESS & ENERGY SAVINGS



FEATURES

- G Force = 450.
- Soft mounted machines.
- Drum and jacket in AISI-304 stainless steel.
- Easy-to-clean exterior panels, manufactured in skinplate with stainless steel appearance,
- Detergent tray with 5 compartments.
- 8 programmable signals for automatic liquid dosing.
- Variable-frequency drive (standard 50-60 Hz).
- Balancing system.
- New TOUCH PLUS programmer (TP2) with a 7" color touch screen, and 37 available languages. TP2 lets you create an infinite number of programs (29 pre-set), as well as play videos.
- TP2 allows programming, importing and exporting of programs and software updates via USB.
- Traceability as standard: temperatures, water levels, etc. are stored on the washer and is extractable to a PC by USB memory.
- All washers are WET CLEANING ready. The TP2 control allows you to create any Wet Cleaning program (adjustable water levels and washing speed).
- EFFICIENT MIX. These machines are equipped with an automatic water mixer (mixing different water temperatures) which provides energy savings and reduces washing times.
- BALANCE CONTROL: detects the imbalance at an early stage. This way the operation is much smoother, extending components lifetime, and saving time and energy.
- MULTICHOICE INLET: 3 standard water inlets. All washers are equipped with a third water inlet to speed filling time, for decalcified water, ozone, or recycled water.
- MAINTENANCE KARE: A simple design, focused in optimum accessibility; with easy-to-access mechanical and electronic parts. key to easy maintenance.
- The TP2 control provides a complete technical menu, self-diagnosis systems, alarms, restricted access areas, etc.
- OPTIMIZED DRUM: The special perforations in the paddles of the drum create a water cascade effect that considerably increases the mechanical action and reduces the amount of water in each wash. The effective design of the drum and tank with minimal spaces between them, reduces the energy consumption to heat the water and the excessive use of chemical products.
- OPTIMAL CONSUMPTION. All washers are equipped with an efficient system that sense the load weight and automatically adapts the quantity of water and chemicals needed.
- Washers compatible with water recovery tanks.
- With the TP2 control you can convert your OPL washer to **Coin/Vended** mode. Just add a coin mechanism kit or other payment system.RS-485 communication.

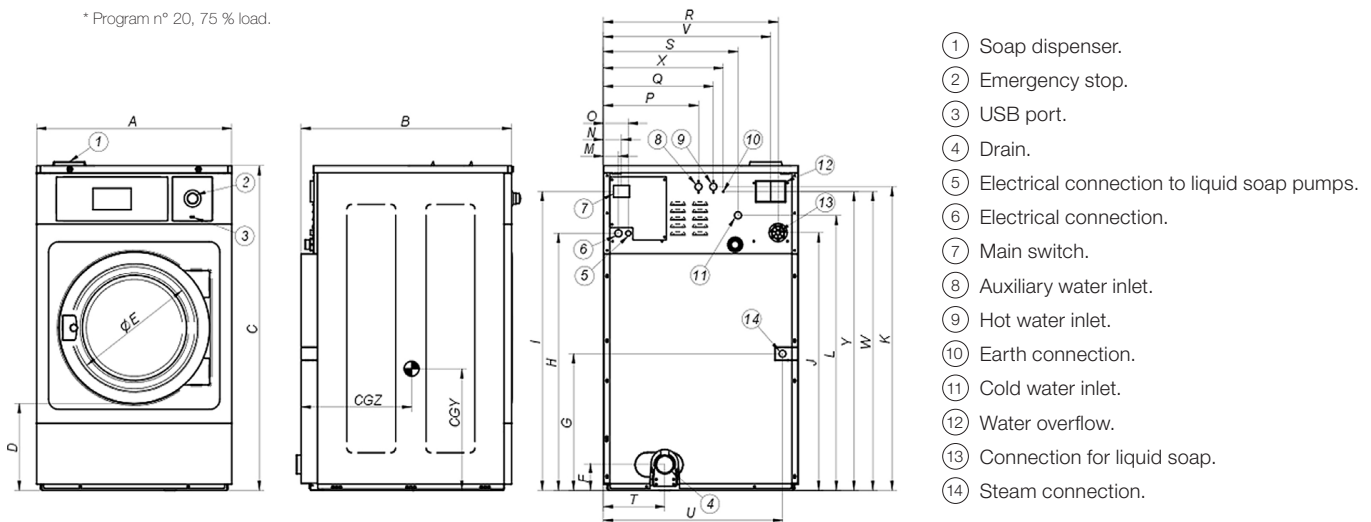
- OPTIONS:**
- Exterior panels in AISI-304 stainless steel.
 - Front panels in AISI-304 stainless steel.
 - Double drain kit to recover water.
 - NC Option: drain normally closed.
 - Reversible door opening.
 - AUTO WEIGHT: Automatic weighing system. Up to 30% savings. (Automatic adjustment of water, soap, and energy, according to the load size).
 - 6 extra signals for dosing
 - Timed opening system.
 - Printer.
 - Shower system: water recirculation for very delicate linen (wet cleaning complement).
 - Marine electric versions.
 - Protective covering for the electronics system.
 - Bottom plinth.



TECHNICAL DATA

	UNIT.	FWH-25 TP2		FWH-30 TP2		FWH-40 TP2	
DRUM							
Load capacity 1:9 / 1:10	lb	24/22		31/29		44/42	
Volume	CU.FT	3.5		4.6		6	
Diameter	in	20.9		24.40		27.55	
Depth	in	16.73		16.92		18.50	
GENERAL DATA							
Wash speed / Spin speed	r.p.m.	50/ 1,231		50/ 1,138		47/ 1,071	
G Force	-	450		450		450	
Maximum force transmitted	kN	2.08 ±0.75		2.49 ±1.05		3.41 ±1.4	
Dynamic force frequency	Hz	16.7		16.7		16	
Noise level	dB	70		70		70	
Self-service version	-	Yes		Yes		Yes	
Double drain	-	No		Opt.		Opt.	
Weighing system	-	Opt.		Opt.		Opt.	
DOOR							
Height door centre / Height door base	in	24.8/14.56		700 / 440		765 / 450	
Diameter	in	14.68		14.68		18.11	
POWER							
Motor	Hp	1		2		2.9	
Heating electric mod.	kW	6		9		12	
Maximum electrical power	kW	6.25		9.4		12.75	
Maximum steam and hot water power	kW	0.75		1.1		2.2	
CONNECTIONS							
		ELECTRIC	STEAM / HOT WATER	ELECTRIC	STEAM / HOT WATER	ELECTRIC	STEAM / HOT WATER
208-240V / 50-60 Hz / 1	FLA (Amp)	32	6	50	10	63	10
208-240V / 50-60 Hz / 3	FLA (Amp)	20	-	32	-	40	-
440V / 50-60 Hz / 3	FLA (Amp)	16	-	16	-	20	-
Steam input (Steam mod.)	inch	1/2"		1/2"		1/2"	
Maximum steam consumption (Steam mod.)	lbs/h	15.5		18.8		26.5	
Water inlet	inch	3/4"		3/4"		3/4"	
Grid pressure	kg/cm ²	2-4		2-4		2-4	
Maximum water consumption *	Gal/h	18.86		23.45		31.25	
Drain	mm/inch	3"		3"		3"	
Drainage capacity	gal/min	52.8		52.8		52.8	
DIMENSIONS / DIMENSIONS WITH PACKAGING							
Width / Width	in	27.24/28.74		31 / 32.67		34.80/ 36.61	
Depth / Depth	in	31 / 39.37		34.21 / 39.76		36 / 40.55	
Height / Height	in	46.65 / 55.78		51.46 / 61.42		55.70 / 66.93	
Net weight / Gross weight	lb	507 / 526		551 / 623		794 / 867	
Gross volume (with packaging)	ft ³	36.37		46.26		57.56	

* Program n° 20, 75 % load.



DIMENSIONS (in)	A	B	C	D	E	F	G	H	I	J	K	L	M	N	O	P	Q	R	S	T	U	V	W	X	Y	CGY	CGZ
FWH-25 TP2	27.24	31.02	46.65	14.57	14.69	4.92	13.94	35.94	42.72	36.06	43.31	38.78	2.40	2.91	3.98	12.44	14.61	24.02	17.64	8.90	24.65	22.83	42.52	18.15	45.08	16.69	22.72
FWH-30 TP2	31.02	34.21	51.46	17.32	14.69	9.57	15.16	40.71	47.32	40.83	48.07	43.54	2.40	2.91	3.98	15.16	17.52	27.80	21.42	9.57	28.27	26.61	47.32	19.09	47.28	17.72	25.63
FWH-40 TP2	34.80	35.94	55.71	17.72	18.11	3.74	14.96	44.69	51.30	44.80	52.05	47.52	2.40	2.91	3.98	16.89	20.04	31.57	25.20	13.70	32.05	30.39	51.30	22.40	51.06	18.27	27.64



FWH-50-65 TP2 HIGH SPIN

G FORCE = 450 | 50-65 lb

MAXIMUM EFFECTIVENESS,
ENERGY SAVING AND RESPECT FOR THE ENVIRONMENT



CHARACTERISTICS

- G Force = 450.
- Drum and jacket in AISI-304 stainless steel.
- Unit exterior manufactured in sandwich board, colour grey, stainless steel appearance, easy to clean, and which does not reflect fingerprints.
- Detergent tray with 4 compartments.
- 8 signals for automatic liquid dosing, programmable in time and delay. 6 extra signals available optionally.
- 3 standard water inlets.
- Variable-frequency drive (standard 50-60 Hz). Balancing system controlled by the same drive.
- New second-generation TOUCH PLUS programmer with 7" touch screen in colour, 37 available languages and which lets you create an indefinite number of programs (20 pre-set), as well as play videos.
- Allows programming, importing and exporting of programs and software updates via USB.
- CONNECTIVITY. IoT - FagorKonnnect. Remote technical service. Management of laundries: OPL and COIN. Remote payment.
- EFFICIENT MIX. These machines are equipped with an automatic water mixer (mixing different water temperatures) which provides energy savings and reduces washing times.
- BALANCE CONTROL. Thanks to an advanced technological development, and by means of the inverter, the washers detect the imbalance at an early

- stage. This way the operation is much smoother, elongating components lifetime and reducing washing times, thus saving energy as well.
- MULTICHOICE INLET. All washers are equipped with a third water inlet as standard, which allows you to save filling time, or which can be used for decalcified water, ozone or recycled water.
- WET CLEANING. All washers incorporate the necessary features to use the WET CLEANING system as standard, avoiding investment in expensive applications to work with this advanced washing concept. This feature replaces most dry-cleaning washing systems, bringing maximum reduction in costs.
- The programmer includes the characteristics to create any Wet Cleaning program (modifiable water levels and washing speed).
- MAINTENANCE KARE. A simple and reliable design with easy-to-access mechanical parts that combines perfectly with the use of intelligent electronics. All components have been designed and manufactured with top quality and prestige, focusing on optimum accessibility for all points and components key to maintenance. Moreover, all the controls have been developed down to the finest detail: complete technical menus, fault self-diagnosis systems, alarms, restricted access areas, etc.

- OPTIMIZED DRUM. This system has been developed to improve wash quality to the maximum and to do it in as short a time as possible. Through a series of perforations in the paddles of the machine, a water cascade effect is achieved which increases the mechanical action of the drum during operation and greatly reduces the amount of water needed for each wash. The effective design of the drum and tank with minimal spaces between them, allows the energy consumption necessary to heat the water, as well as the superfluous use of chemical products, to be reduced.
- OPTIMAL CONSUMPTION. All washers are equipped with an efficient system by means of which you can indicate the load which is introduced in the machine. The washer automatically adapts the quantity of water and chemicals to be used for that load.
- "LOADING AID" system. Water inlet and spin control for loading the linen.
- The standard model can be converted to self-service by installing a pay station kit, coin mechanism kit or other payment system. RS-485 communication.
- Washers compatible with water recovery tanks.

OPTIONS:

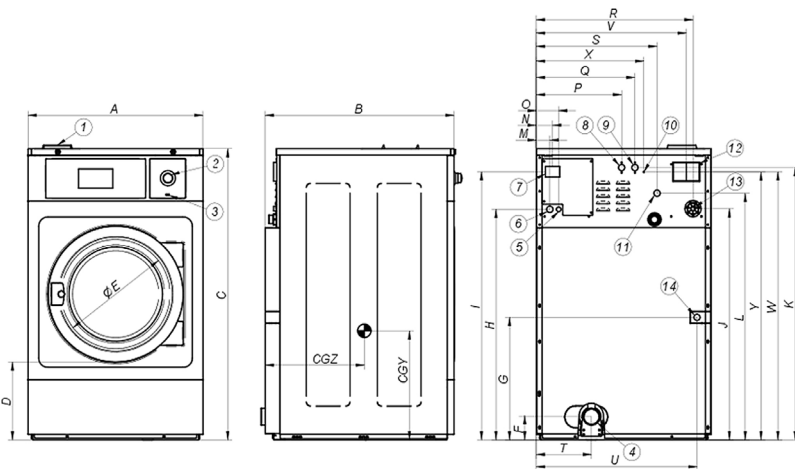
- Unit exterior in AISI-304 stainless steel.
- Front panels in AISI-304 stainless steel.
- Different levelling plinth kits to level machines by total height or by loading height (850 mm between door base and floor).
- Double drain kit to recover the water, with important savings.
- NC Option: drain normally closed.
- Drain pump kit (50 and 65 lb).
- Levelling feet.
- Reversible door opening.
- Silicone seal for 50 and 65 lb models.
- 6 extra signals for dosing.
- AUTO WEIGHT Automatic linen weighing system. Up to 30% savings. (Automatic adjustment of water and soap consumptions as well as energy savings, according to the load inserted, measured automatically by the washer).
- Timed opening system.
- Marine electric versions for ships.
- Tropicalised models with protective covering for the electronics system.
- Shower system: water recirculation for very delicate linen (wet cleaning complement).



TECHNICAL DATA

	UNIT.	FWH-50 TP2		FWH-65 TP2	
DRUM					
Load capacity 1:9 / 1:10	lb	55.1/48.5		68.4/61.7	
Volume	CU.FT	7.8		9.9	
Diameter	in	27,56		30.0	
Depth	in	22.04		23,03	
GENERAL DATA					
Wash speed / Spin speed	r.p.m.	47/1.071		45/1.024	
G Force	-	450		450	
Maximum force transmitted	kN	4,12 ± 1,4		5,59 ± 1,75	
Dynamic force frequency	Hz	16		15	
Noise level	dB	<70		<70	
Self-service version	-	Yes		Yes	
Double drain	-	Opt		Opt.	
Weighing system	-	Opt./No		Opt./No	
SLUICE option	-	No		No	
DOOR					
Height door centre / Height door base	in	30.11/17.71		30.1/17.1	
Diameter	in	18,11		18,11	
POWER					
Motor	Hp	2,95		5,36	
Heating electric mod.	kW	12		18	
Maximum electrical power	kW	12,75		19,2	
Maximum steam and hot water power	kW	2,2		4	
CONNECTIONS					
		ELECTRIC		STEAM / HOT WATER	
Voltage 230V - 1 PH+ N	Nº x mm² / A	2x16+T / 63A	2x4+T/32 A	-	2x4+T / 32A
Voltage 230V - 3 PH	Nº x mm² / A	3x6+T / 40A	-	3x16+T / 63A	-
Voltage 400V - 3 PH + N	Nº x mm² / A	4x4+T/32A	-	4x4+T / 32A	-
Steam input (Steam mod.)	inch	1/2"		3/4"	
Maximum steam consumption (Steam mod.)	lbs/h	26,45		26,45	
Water inlet	inch	3/4"		3/4"	
Grid pressure	kg/cm²	2-4		2-4	
Maximum water consumption *	Gal/h	31.2		46.3	
Drain	mm/inch	3"		3"	
Drainage capacity	gal/min	52.8		52.8	
DIMENSIONS / DIMENSIONS WITH PACKAGING					
Width / Width	in	34.8/37.2		38.6/41.0	
Depth / Depth	in	39.5/44.9		42.2/47.7	
Height / Height	in	55.8/67.0		61.2/72.9	
Net weight / Gross weight	lb	837.9/910.7		1190.7/1312.0	

* Program n° 20, 75 % load.



- ① Soap dispenser.
- ② Emergency stop.
- ③ USB port.
- ④ Drain.
- ⑤ Electrical connection to liquid soap pumps.
- ⑥ Electrical connection.
- ⑦ Main switch.
- ⑧ Auxiliary water inlet.
- ⑨ Hot water inlet.
- ⑩ Earth connection.
- ⑪ Cold water inlet.
- ⑫ Water overflow.
- ⑬ Connection for liquid soap.
- ⑭ Steam connection.

	A	B	C	D	E	F	G	H	I	J	K	L	M	N	O	P	Q	R	S	T	U	V	W	X	Y	CGY	CGZ
FWH-50TP2	34,80	39,50	55,71	17,72	18,11	3,74	14,96	44,68	51,30	44,80	52,05	47,52	2,40	2,91	3,98	16,89	20,04	31,57	25,20	13,70	32,05	30,39	51,30	22,40	51,06	18,27	27,64
FWH-65TP2	38,54	43,16	61,14	22,05	18,11	5,24	19,29	50,47	57,09	49,57	57,68	53,31	2,40	2,91	3,98	18,94	22,09	33,90	26,50	14,45	35,79	32,72	56,06	24,57	59,45	30,43	27,95



FWH-60 TP2 FWH-80 TP2

HIGH SPIN

SOFT MOUNT WASHER

G FORCE = 450 | 60 - 80 lbs

**MAXIMUM EFFECTIVENESS &
ENERGY SAVINGS**



FEATURES

- G Force = 450.
- Soft mounted machines.
- Drum and jacket in AISI-304 stainless steel.
- Easy-to-clean exterior panels, manufactured in skinplate with stainless steel appearance,
- Detergent tray with 5 compartments.
- 8 programmable signals for automatic liquid dosing.
- Variable-frequency drive (standard 50-60 Hz).
- Balancing system.
- New TOUCH PLUS programmer (TP2) with a 7" color touch screen, and 37 available languages. TP2 lets you create an infinite number of programs (29 pre-set), as well as play videos.
- TP2 allows programming, importing and exporting of programs and software updates via USB.
- Traceability as standard: temperatures, water levels, etc. are stored on the washer and is extractable to a PC by USB memory.
- All washers are WET CLEANING ready. The TP2 control allows you to create any Wet Cleaning program (adjustable water levels and washing speed).
- EFFICIENT MIX. These machines are equipped with an automatic water mixer (mixing different water temperatures) which provides energy savings and reduces washing times.
- BALANCE CONTROL: detects the imbalance at an early stage. This way the operation is much smoother, extending components lifetime, and saving time and energy.
- MULTICHOICE INLET: 3 standard water inlets. All washers are equipped with a third water inlet to speed filling time, for decalcified water, ozone, or recycled water.
- MAINTENANCE KARE: A simple design, focused in optimum accessibility; with easy-to-access mechanical and electronic parts. key to easy maintenance.
- The TP2 control provides a complete technical menu, self-diagnosis systems, alarms, restricted access areas, etc.
- OPTIMIZED DRUM: The special perforations in the paddles of the drum create a water cascade effect that considerably increases the mechanical action and reduces the amount of water in each wash. The effective design of the drum and tank with minimal spaces between them, reduces the energy consumption to heat the water and the excessive use of chemical products.
- OPTIMAL CONSUMPTION. All washers are equipped with an efficient system that sense the load weight and automatically adapts the quantity of water and chemicals needed.
- Washers compatible with water recovery tanks.
- With the TP2 control you can convert your OPL washer to **Coin/Vended** mode. Just add a coin mechanism kit or other payment system.RS-485 communication.

- OPTIONS:**
- Exterior panels in AISI-304 stainless steel.
 - Front panels in AISI-304 stainless steel.
 - Double drain kit to recover water.
 - NC Option: drain normally closed.
 - Reversible door opening.
 - AUTO WEIGHT: Automatic weighing system. Up to 30% savings. (Automatic adjustment of water, soap, and energy, according to the load size).
 - 6 extra signals for dosing
 - Timed opening system.
 - Printer.
 - Shower system: water recirculation for very delicate linen (wet cleaning complement).
 - Marine electric versions.
 - Protective covering for the electronics system.
 - Bottom plinth.





TECHNICAL DATA

UNIT.

FWH - 60 TP2

FWH - 80 TP2

DRUM

Load capacity 1/9 - 1/10	lbs	+ ' \$* *	86/77
Volume	cu ft	.	12
Diameter	in	(%)	33.82
Depth	in	' % #	23.7

GENERAL DATA

Wash speed / Spin speed	rpm) * \$ & %)	42.5 / 966
G Force	-) * %	450
Maximum force transmitted	kN) # ' . & # *	7.36 ±2.45
Dynamic force frequency	Hz	& *	14.3
Noise level	dB	1, %	< 70
Self-service version	-	NZh	Yes
Double drain	-	Dei#	Opt.
Weighing system	-	Dei#	Opt.

DOOR

Height door centre / Height door base	in	() \$ '	34/22
Diameter	in	& - # & &	22

POWER

Motor	Hp)	5.36
Heating (electric heating model)	kW	& -	21
Maximum power (electric heating model)	kW	& #	22
Maximum power (steam and hot water model)	kW)	4

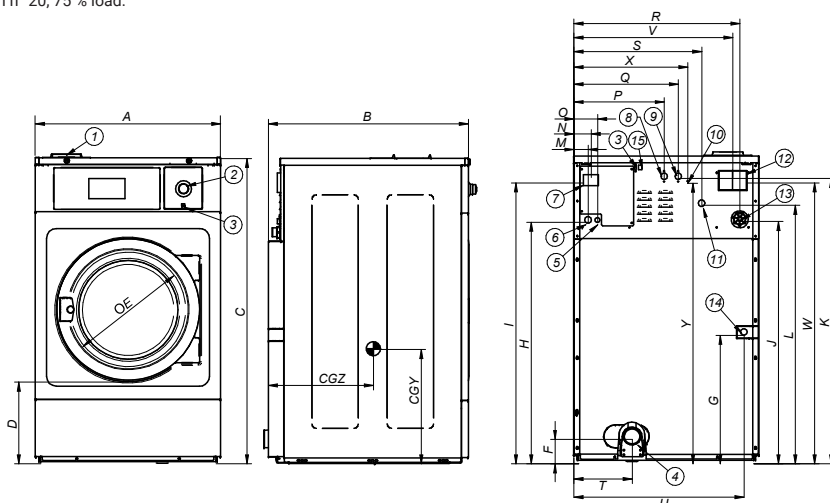
CONNECTIONS

		ELECTRIC	STEAM / HOT WATER	ELECTRIC	STEAM / HOT WATER
208-240V / 50-60 Hz / 1	FLA (Amps)	-	20	-	-
208-240V / 50-60 Hz / 3	FLA (Amps)	63	20	63	20
440V / 50-60 Hz / 3	FLA (Amps)	32	-	40	16
Steam inlet (Steam mod.)	in		3/4"		3/4"
Maximum steam consumption (Steam, mod.)	lbs/h		40		40
Water inlet	in		3/4"		3/4"
Grid pressure	kg/cm ²		2-4		2-4
Maximum water consumption *	gal/h		52.72		52.72
Drain	in		3"		3"
Drainage capacity	gal/min		52.8		52.8

DIMENSIONS / DIMENSIONS WITH PACKAGING

Width / Width	in	38.50 / 42.00	38.50 / 42.00
Depth / Depth	in	42.00 / 50.00	47.24 / 59.00
Height / Height	in	55.55 / 63	55.55 / 63
Net weight / Gross weight	lbs	1043 / 1109	1153 / 1219
Gross volume (with packaging)	cu ft	76.6	90.3

* Program n° 20, 75 % load.



- 1- SOAP DISPENSER
- 2- EMERGENCY STOP
- 3- USB PORT
- 4- DRAIN
- 5- ELECTRIC CONNECTION TO LIQUID SOAP PUMPS
- 6- ELECTRICAL CONNECTION
- 7- MAIN SWITCH
- 8- AUXILIAR WATER INLET
- 9- HOT WATER INLET
- 10- EQUIPOTENTIAL CONNECTION
- 11- COLD WATER INLET
- 12- BLUR OUTPUT / WATER OVER-LOAD
- 13- LIQUID SOAP CONNECTION
- 14- STEAM CONNECTION
- 15- ETHERNET PORT

		A	B	C	D	E	F	G	H	I	J	K	L	M	N	O	P	Q	R	S	T	U	V	W	X	Y	CGY	CGZ
FWS-80C	in	38.5	42	55.6	14.6	22	5.8	24.5	44.8	51.5	44	52	47.7	2.4	2.9	4	21.5	24.6	34.8	28.2	10.3	36.1	33.7	50.4	30	54	25	26.85
FWS-100C	in	38.5	46.7	55.6	14.6	22	5.8	24.5	44.8	51.5	44	52	47.7	2.4	2.9	4	21.5	24.6	34.8	28.2	10.3	36.1	33.7	50.4	30	54	25	30





FWH-100 TP2 FWH-135 TP2

HIGH SPIN
SOFT MOUNT WASHER

G FORCE = 450 | 100 - 135 lbs

**MAXIMUM EFFECTIVENESS &
ENERGY SAVINGS**



FEATURES

- G Force = 450.
- Soft mounted machines.
- Drum and jacket in AISI-304 stainless steel.
- Easy-to-clean exterior panels, manufactured in skinplate with stainless steel appearance,
- Detergent tray with 5 compartments.
- 8 programmable signals for automatic liquid dosing.
- Variable-frequency drive (standard 50-60 Hz).
- Balancing system.
- New TOUCH PLUS programmer (TP2) with a 7" color touch screen, and 37 available languages. TP2 lets you create an infinite number of programs (29 pre-set), as well as play videos.
- TP2 allows programming, importing and exporting of programs and software updates via USB.
- Traceability as standard: temperatures, water levels, etc. are stored on the washer and is extractable to a PC by USB memory.
- All washers are WET CLEANING ready. The TP2 control allows you to create any Wet Cleaning program (adjustable water levels and washing speed).
- EFFICIENT MIX. These machines are equipped with an automatic water mixer (mixing different water temperatures) which provides energy savings and reduces washing times.
- BALANCE CONTROL: detects the imbalance at an early stage. This way the operation is much smoother, extending components lifetime, and saving time and energy.
- MULTICHOICE INLET: 3 standard water inlets. All washers are equipped with a third water inlet to speed filling time, for decalcified water, ozone, or recycled water.
- MAINTENANCE KARE: A simple design, focused in optimum accessibility; with easy-to-access mechanical and electronic parts. key to easy maintenance.
- The TP2 control provides a complete technical menu, self-diagnosis systems, alarms, restricted access areas, etc.
- OPTIMIZED DRUM: The special perforations in the paddles of the drum create a water cascade effect that considerably increases the mechanical action and reduces the amount of water in each wash. The effective design of the drum and tank with minimal spaces between them, reduces the energy consumption to heat the water and the excessive use of chemical products.
- OPTIMAL CONSUMPTION. All washers are equipped with an efficient system that sense the load weight and automatically adapts the quantity of water and chemicals needed.
- Washers compatible with water recovery tanks.
- With the TP2 control you can convert your OPL washer to **Coin/Vended** mode. Just add a coin mechanism kit or other payment system.RS-485 communication.

- OPTIONS:**
- Exterior panels in AISI-304 stainless steel.
 - Front panels in AISI-304 stainless steel.
 - Double drain kit to recover water.
 - NC Option: drain normally closed.
 - Reversible door opening.
 - AUTO WEIGHT: Automatic weighing system. Up to 30% savings. (Automatic adjustment of water, soap, and energy, according to the load size).
 - 6 extra signals for dosing
 - Timed opening system.
 - Printer.
 - Shower system: water recirculation for very delicate linen (wet cleaning complement).
 - Marine electric versions.
 - Protective covering for the electronics system.
 - Bottom plinth.
 - Tilting system.





TECHNICAL DATA	UNIT.	FWH - 100 TP2	FWH - 135 TP2
----------------	-------	---------------	---------------

DRUM

Load capacity 1/9 - 1/10	lbs	110 - 99	148 - 132
Volume	cu ft	16	21
Diameter	in	36.14	41.25
Depth	in	28.44	27.00

GENERAL DATA

Wash speed / Spin speed	rpm	42.5/934	38/875
G Force	-	450	450
Maximum force transmitted	kN	11.23 ±3.15	12.95 ±4.2
Dynamic force frequency	Hz	14.1	7.58
Noise level	dB	< 70	< 70
Self-service version	-	-	-
Double drain	-	Opt.	Opt.
Weighing system / Tilting system	-	Opt.	Opt.

DOOR

Height door centre / Height door base	in	46.85 / 32.67	46.85 / 32.67
Diameter	in	22	22

POWER

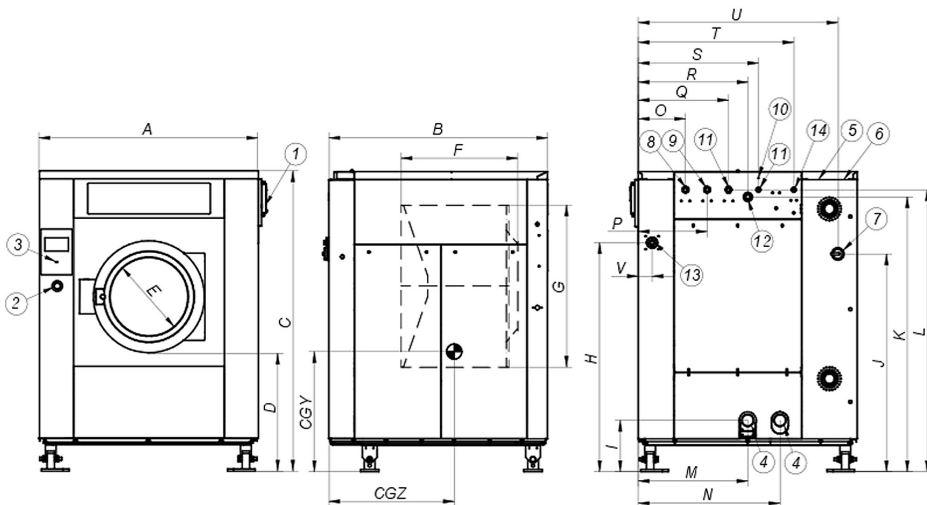
Motor	Hp	10	14.75
Heating (electric heating model)	kW	28.8	36
Maximum power (electric heating model)	kW	31.3	40
Maximum power (steam and hot water model)	kW	7.5	11

CONNECTIONS

		ELECTRIC	HOT WATER	STEAM	ELECTRIC	HOT WATER	STEAM
208-240V / 50-60 Hz / 3	FLA (Amps)	80 A	32 A	32 A	100 A	40A	40 A
440V / 50-60 Hz / 3	FLA (Amps)	63 A	20 A	20 A	63 A	32 A	32 A
Steam inlet (Steam mod.)	in		3/4"			3/4"	
Maximum steam consumption (Steam, mod.)	lbs/h		42			46.3	
Water inlet	in		1"			1"	
Grid pressure	kg/cm ²		2-4			2-4	
Maximum water consumption *	gal/h		125			168.22	
Drain	in		3"			3"	
Drainage capacity	gal/min		52.8			52.8	

DIMENSIONS / DIMENSIONS WITH PACKAGING

Width / Width	in	56.18 / 65.00	56.18 / 65.00
Depth / Depth	in	56.18 / 65.00	56.18 / 65.00
Height / Height	in	75.20 / 78.00	75.20 / 78.00
Net weight / Gross weight	lbs	2976/ 3130	3086/ 3351
Gross volume (with packaging)	cu ft	169.20	169.20



- 1 (○) Soap dispenser.
- 2 (○) Emergency stop.
- 3 (○) USB port.
- 4 (○) Drain.
- 5 (○) Electrical connection to liquid soap pumps.
- 6 (○) Electrical connection.
- 7 (○) Main switch.
- 8 (○) Auxiliary water inlet.
- 9 (○) Hot water inlet.
- 10 (○) Earth connection.
- 11 (○) Cold water inlet.
- 12 (○) Water overflow.
- 13 (○) Connection for liquid soap.
- 14 (○) Steam connection.

DIMENSIONS (in)	A	B	C	D	E	F	G	H	I	J	K	L	M	N	O	P	Q	R	S	T	U	V	CGY	CGZ
FWH-100 TP2	56.18	56.14	76.57	29.41	22.05	29.92	36.22	58.43	13.11	55.55	70.08	71.93	28.11	36.38	12.17	17.68	23.19	28.15	30.87	39.92	51.26	3.66	24.61	37.13
FWH-135 TP2	56.18	56.14	76.57	29.41	22.05	29.92	41.34	58.43	13.11	55.55	70.08	71.93	28.11	36.38	12.17	17.68	23.19	28.15	30.87	39.92	51.26	3.66	24.61	37.13



FWH-135C-180C TP2 HIGH SPIN

G FORCE = 450

MAXIMUM EFFECTIVENESS,
ENERGY SAVING AND RESPECT FOR THE ENVIRONMENT



CHARACTERISTICS

- G Force = 450
- Drum and jacket in AISI-304 stainless steel.
- Unit exterior manufactured in sandwich board, colour grey, stainless steel appearance, easy to clean, and which does not reflect fingerprints.
- Detergent dispenser with 5 compartments.
- 8 signals for automatic liquid dosing, programmable in time and delay. 6 extra signals available optionally.
- 3 standard water inlets.
- Variable-frequency drive (standard 50-60 Hz). Balancing systems controlled by the same drive.
- New second-generation TOUCH PLUS programmer with 7" touch screen in colour, 37 available languages and which lets you create an indefinite number of programs (29 pre-set), as well as play videos.
- Allows programming, importing and exporting of programs and software updates via USB.
- Traceability as standard: the whole wash process (temperatures, water levels) is stored on the washer and is extractable to a PC by USB memory.
- The programmer includes the characteristics to create any Wet Cleaning program (modifiable water levels and washing speed).
- EFFICIENT MIX. Equipped with an automatic mixing system of water at different temperatures; all the washers provide energy savings and reduce washing times.
- BALANCE CONTROL. Thanks to an advanced technological development, and by means of the inverter, the washers detect the imbalance at an early stage. This way the operation is much smoother, elongating components lifetime and reducing washing times, thus saving energy as well.
- MULTICHOICE INLET. All washers are equipped with a third water inlet as standard, which allows you to save filling time, or which can be used for decalcified water, ozone or recycled water.
- WET CLEANING. All washers incorporate the necessary features to use the WET CLEANING system as standard, avoiding investment in expensive applications to work with this advanced washing concept. This feature replaces most dry-cleaning washing systems, bringing maximum reduction in costs.
- MAINTENANCE KARE. A simple and reliable design with easy-to-access mechanical parts that combines perfectly with the use of intelligent electronics. All components have been designed and manufactured with top quality and prestige, focusing on optimum accessibility for all points and components key to maintenance. Moreover, all the controls have been developed down to the finest detail: complete technical menus, fault self-diagnosis systems, alarms, restricted access areas, etc.
- OPTIMISED DRUM. This system has been developed to improve wash quality to the maximum and to do it in as short a time as possible. Through a series of perforations in the paddles of the drum, a water cascade effect is achieved which considerably increases the mechanical action inside the drum during operation and greatly reduces the amount of water needed for each wash. The effective design of the drum and tank with minimal spaces between them, allows the energy consumption necessary to heat the water, as well as the superfluous use of chemical products, to be reduced.
- OPTIMAL CONSUMPTION. All washers are equipped with an efficient system by means of which you can indicate the load which is introduced in the machine. The washer automatically adapts the quantity of water and chemicals to be used for that load.
- "LOADING AID" system. Water inlet and spin control for loading the linen.

OPTIONS:

- Unit exterior in AISI-304 stainless steel.
- Front panels in AISI-304 stainless steel.
- Double drain kit to recover the water, with important savings.
- NC Option: drain normally closed.
- Reversible door opening.
- 6 extra signals for dosing.
- AUTO WEIGHT Automatic linen weighing system. Up to 30% savings. (Automatic adjustment of water and soap consumptions as well as energy savings, according to the load inserted, measured automatically by the washer).
- Timed opening system.
- Printer.
- Marine electric versions for ships.
- Tropicalised models with protective covering for the electronics system.
- Shower system: water recirculation for very delicate linen (wet cleaning complement).
- Tilt system - forwards and backwards for easy loading and unloading of linen.
- Weight detection system in the feet (not compatible with tilt system).
- Double heating, electric + steam.
- Water inlet pipe
- Bottom plinth

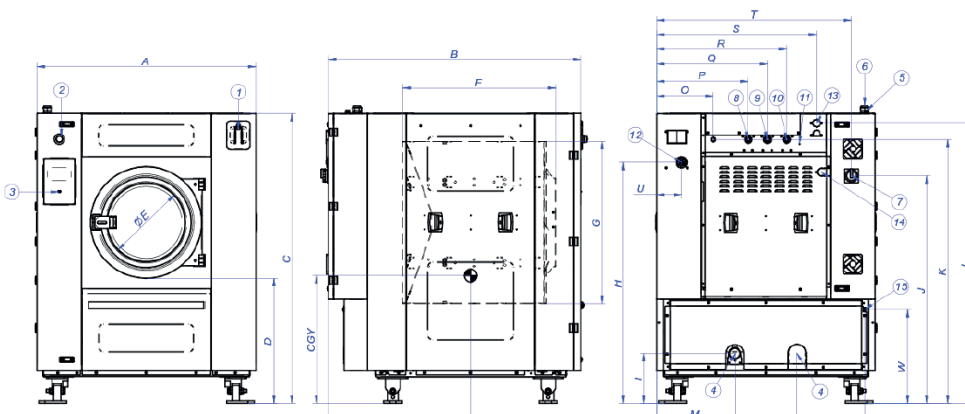
www.fagorcommercial.com



TECHNICAL DATA

	UNIT.	FWH - 135 TP2			FWH - 180 TP2		
DRUM							
Load capacity 1:9 / 1:10	lb	143.3/130.1			187.4/169.8		
Volume	CU.FT	20.8			27.2		
Diameter	in	41.25			41,25		
Depth	in	26.8			35,11		
GENERAL DATA							
Wash speed / Spin speed	r.p.m.	38			38		
G Force	r.p.m.	450			450		
Maximum force transmitted	KN	18 ±4,2			23 ±4,8		
Dynamic force frequency	Hz	12,66			12,66		
Noise level	dB	< 70			<70		
Self-service version	-	No			No		
Double drain	-	Opt.			Opt.		
Weighing system	-	Opt.			Opt.		
DOOR							
Height door centre / Height door base	in	46.1/31.9			46.1/31.9		
Diameter	in	22,1			22,1		
POWER							
Motor	Hp	20,1			20,1		
Heating electric mod.	kW	36			48		
Maximum electrical power	kW	39			51		
Maximum steam and hot water power	kW	15			15		
CONNECTIONS							
		ELECTRIC	HOT WATER	STEAM	ELECTRIC	HOT WATER	STEAM
Voltage 230V- 3 PH + G	Nº x mm² / A	3 x 25 / 100A	3 x 10 / 50A	3 x 10 / 50A	3 x 50 / 160A	3 x 10 / 50A	3 x 10 / 50A
Voltage 440V- 3 PH + N + G	Nº x mm² / A	4 x 16 / 63A	4 x 10 / 50A	4 x 10 / 50A	4 x 25 / 80A	4 x 10 / 50A	4 x 10 / 50A
Steam input (Steam mod.)	inch	3/4"			3/4"		
Maximum steam consumption (Steam mod.)	lbs/h	46.3			55,1		
Water inlet	inch	1"			1"		
Grid pressure	kg/cm²	2-4			2-4		
Maximum water consumption *	Gal/h	1,58			1,58		
Drain	mm/inch	3"			3"		
Drainage capacity	gal/min	52.8			52,8		
DIMENSIONS / DIMENSIONS WITH PACKAGING							
Width / Width	in	55,9 / 63			55,9 / 63		
Depth / Depth	in	56.41 / 62.79			64,7 / 71,06		
Height / Height	in	74.01 / 75.98			74.01 / 75.98		
Net weight / Gross weight	lb	3637 / 3968			3968 / 4409		
Gross volume (with packaging)	ft3	173,04			197,76		

* Program n° 2, 100 % load.



- 1- SOAP DISPENSER
- 2- EMERGENCY STOP
- 3- USB PORT
- 4- DRAIN
- 5- ELECTRIC CONNECTION TO LIQUID SOAP PUMPS
- 6- ELECTRICAL CONNECTION
- 7- MAIN SWITCH
- 8- AUXILIAR WATER INLET
- 9- HOT WATER INLET
- 10- EQUIPOTENTIAL CONNECTION
- 11- COLD WATER INLET
- 12- STEAM OUTPUT
- 13- LIQUID SOAP CONNECTION
- 14- STEAM CONNECTION
- 15- AIR INTAKE
- 16- ETHERNET PORT

	A	B	C	D	E	F	G	H	I	J	K	L	M	N	O	P	Q	R	S	T	U	V	W	CGY	CGZ
FWH-135TP2	55,9	56.41	74,01	31,88	22,04	29,92	41,33	61,53	12,71	58,07	67,32	71,53	20	35,9	14,44	23,42	28,34	33,26	40,94	49,88	6,29	53,26	23,93	32,67	32,28
FWH-180TP2	55,9	64.76	74,01	31,88	22,04	38,26	41,33	61,53	12,71	58,07	67,32	71,53	20	35,9	14,44	23,42	28,34	28,34	40,94	49,88	6,29	53,26	23,93	32,67	36,41



FWH-230C-275C TP2 HIGH SPIN

G FORCE = 350

MAXIMUM EFFECTIVENESS,
ENERGY SAVING AND RESPECT FOR THE ENVIRONMENT



CHARACTERISTICS

- G Force = 350
- Drum and jacket in AISI-304 stainless steel.
- Detergent dispenser with 5 compartments.
- Unit exterior manufactured in AISI-304 stainless steel.
- 8 signals for automatic liquid dosing, programmable in time and delay. 6 extra signals available optionally.
- 3 standard water inlets.
- Variable-frequency drive (standard 50-60 Hz). Balancing systems controlled by the same drive.
- New second-generation TOUCH PLUS programmer with 7" touch screen in colour, 37 available languages and which lets you create an indefinite number of programs (29 pre-set), as well as play videos.
- Allows programming, importing and exporting of programs and software updates via USB.
- Traceability as standard: the whole wash process (temperatures, water levels) is stored on the washer and is extractable to a PC by USB memory.
- The programmer includes the characteristics to create any Wet Cleaning program (modifiable water levels and washing speed).
- EFFICIENT MIX. Equipped with an automatic mixing system of water at different temperatures; all the washers provide energy savings and reduce washing times.
- BALANCE CONTROL. Thanks to an advanced technological development, and by

means of the inverter, the washers detect the imbalance at an early stage. This way the operation is much smoother, elongating components lifetime and reducing washing times, thus saving energy as well.

- MULTICHOICE INLET. All washers are equipped with a third water inlet as standard, which allows you to save filling time, or which can be used for decalcified water, ozone or recycled water.
- WET CLEANING. All washers incorporate the necessary features to use the WET CLEANING system as standard, avoiding investment in expensive applications to work with this advanced washing concept. This feature replaces most dry-cleaning washing systems, bringing maximum reduction in costs.
- MAINTENANCE KARE. A simple and reliable design with easy-to-access mechanical parts that combines perfectly with the use of intelligent electronics. All components have been designed and manufactured with top quality and prestige, focusing on optimum accessibility for all points and components key to maintenance. Moreover, all the controls have been developed down to the finest detail: complete technical menus, fault self-diagnosis systems, alarms, restricted access areas, etc.
- OPTIMISED DRUM. This system has been developed to improve wash quality to the maximum and to do it in as short a time as possible. Through a series of perforations in the paddles of the drum, a water cascade effect is achieved which considerably increases the

mechanical action inside the drum during operation and greatly reduces the amount of water needed for each wash. The effective design of the drum and tank with minimal spaces between them, allows the energy consumption necessary to heat the water, as well as the superfluous use of chemical products, to be reduced.

- OPTIMAL CONSUMPTION. All washers are equipped with an efficient system by means of which you can indicate the load which is introduced in the machine. The washer automatically adapts the quantity of water and chemicals to be used for that load.
- "LOADING AID" system. Water inlet and spin control for loading the linen.

OPTIONS:

- Unit exterior in AISI-304 stainless steel.
- Front panels in AISI-304 stainless steel.
- Double drain kit to recover the water, with important savings.
- Reversible door opening.
- 6 extra signals for dosing.
- AUTO WEIGHT Automatic linen weighing system. Up to 30% savings. (Automatic adjustment of water and soap consumptions as well as energy savings, according to the load inserted, measured automatically by the washer).
- Timed opening system.
- Printer.
- Marine electric versions for ships.
- Tropicalised models with protective covering for the electronics system.
- Shower system: water recirculation for very delicate linen (wet cleaning complement).
- Tilt system - forwards and backwards for easy loading and unloading of linen.
- Weight detection system in the feet (not compatible with tilt system).

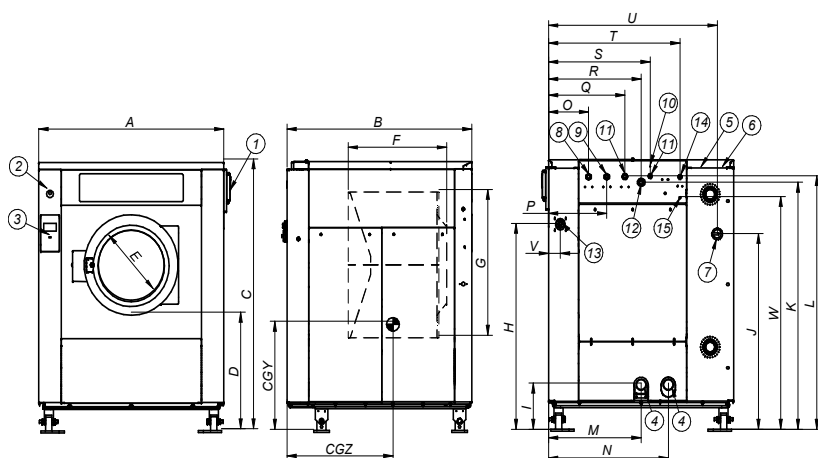
www.fagorcommercial.com



TECHNICAL DATA

	UNIT.	FWH - 230C TP2			FWH - 275C TP2		
DRUM							
Load capacity 1:9 / 1:10	lb	231/209			286 / 253		
Volume	CU.FT	33,54			40,61		
Diameter	in	53,54			53,54		
Depth	in	20,07			30,51		
GENERAL DATA							
Wash speed / Spin speed	r.p.m.	34 / 678			34 / 678		
G Force	r.p.m.	350			350		
Maximum force transmitted	KN	37,77 ±5,25			37,77 ±5,25		
Dynamic force frequency	Hz	11,33			11,33		
Noise level	dB	< 70			<70		
Self-service version	-	No			No		
Double drain	-	Opt.			Opt.		
Weighing system	-	Opt.			Opt.		
DOOR							
Height door centre / Height door base	in	52,36 / 35,43			52,36 / 35,43		
Diameter	in	27,55			27,55		
POWER							
Motor	Hp	20,39			20,39		
Heating electric mod.	kW	-			-		
Maximum electrical power	kW	-			-		
Maximum steam and hot water power	kW	15			15		
CONNECTIONS							
		ELECTRIC	HOT WATER	STEAM	ELECTRIC	HOT WATER	STEAM
Voltage 230V- 3 PH + G	Nº x mm² / A	-	3x25+G - 80A	3x25+G - 80A	-	3x25+G - 80A	3x25+G - 80A
Voltage 440 V- 3PH + N + G	Nº x mm² / A	-	4x10+G - 50A	4x10+G - 50A	-	4x10+G - 50A	4x10+G - 50A
Steam input (Steam mod.)	inch		1-1/4"			1-1/4"	
Maximum steam consumption (Steam mod.)	lbs/h		58,42			58,42	
Water inlet	inch		1-1/2"			1-1/2"	
Grid pressure	kg/cm²		2-4			2-4	
Maximum water consumption *	Gal/h		1,58			1,58	
Drain	inch		3"			3"	
Drainage capacity	gal/min		132,08			132,08	
DIMENSIONS / DIMENSIONS WITH PACKAGING							
Width / Width	in	72,28 / 74,9			72,28 / 74,8		
Depth / Depth	in	65,0/80,0			73.34 / 80.00		
Height / Height	in	88,5 / 90,2			88,38 / 90,15		
Net weight / Gross weight	lb	8708 / 9038			8708 / 9038		
Gross volume (with packaging)	ft3	311,8			311.8		

* Program n° 2, 100 % load.



- 1- SOAP DISPENSER
- 2- EMERGENCY STOP
- 3- USB PORT
- 4- DRAIN
- 5- ELECTRIC CONNECTION TO LIQUID SOAP PUMPS
- 6- ELECTRICAL CONNECTION
- 7- MAIN SWITCH
- 8- AUXILIAR WATER INLET
- 9- HOT WATER INLET
- 10- EQUIPOTENTIAL CONNECTION
- 11- COLD WATER INLET
- 12- STEAM OUTPUT
- 13- LIQUID SOAP CONNECTION
- 14- STEAM CONNECTION
- 15- AIR INTAKE
- 16- ETHERNET PORT

	A	B	C	D	E	F	G	H	I	J	K	L	M	N	O	P	Q	R	S	T	U	V	W	CGY	CGZ
FWH-230C TP2	69,48	64,96	88,38	37,20	27,55	31,18	53,14	68,50	13,22	70,11	80,23	83,07	26,57	42,99	19,44	24,96	30,47	37,55	39,13	48,77	64,80	6,49	80,66	33,58	40,35
FWH-275C TP2	69,48	72,12	88,38	37,20	27,55	36,61	53,14	68,50	13,22	70,11	80,23	83,07	26,57	42,99	19,44	24,96	30,47	37,55	39,13	48,77	64,80	6,49	80,66	33,58	44,48